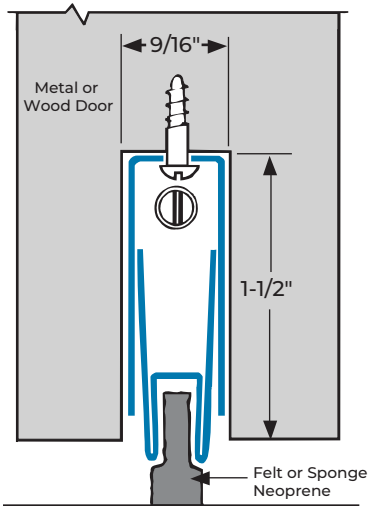
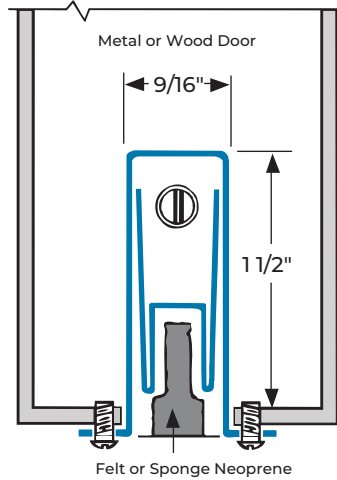


#424 Aluminum



#424A Aluminum

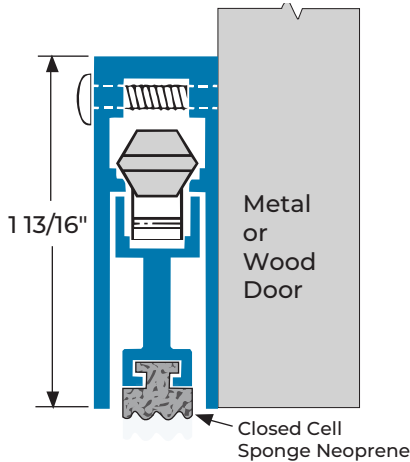


#424 and #424A

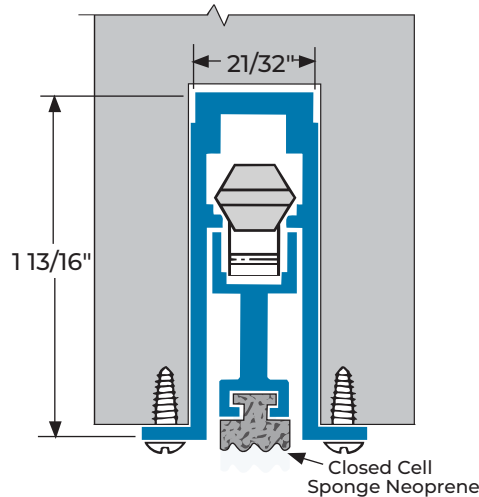
Stock Sizes Available: 32" (81.3) & 36" (91.4), may be cut down to 22 1/2" (57.2) minimum. 42" (106.7) & 48" (121.9), may be cut down to 36" (91.4) minimum. Adjustable from 0" to 1" (2.5).

Materials + Finishes:
Galvanized Steel Housing.

#425S Aluminum



#425 Aluminum



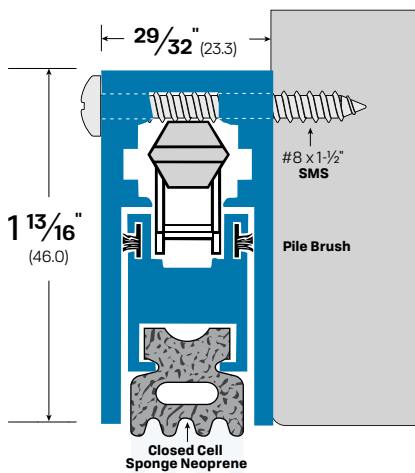
#425, #425S, #426 and #426S

Stock Sizes Available: 32" (81.3), 36" (91.4), 42" (106.7) & 48" (121.9). All sizes may be cut down 10". Adjustable from 0" to 1" (2.5) drop.

Materials + Finishes:
Extruded Aluminum Housing

Nos. 425S & 426S available with bronze or stainless steel cover.

#426S Aluminum



#426 Aluminum

